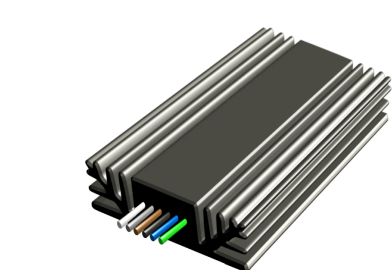
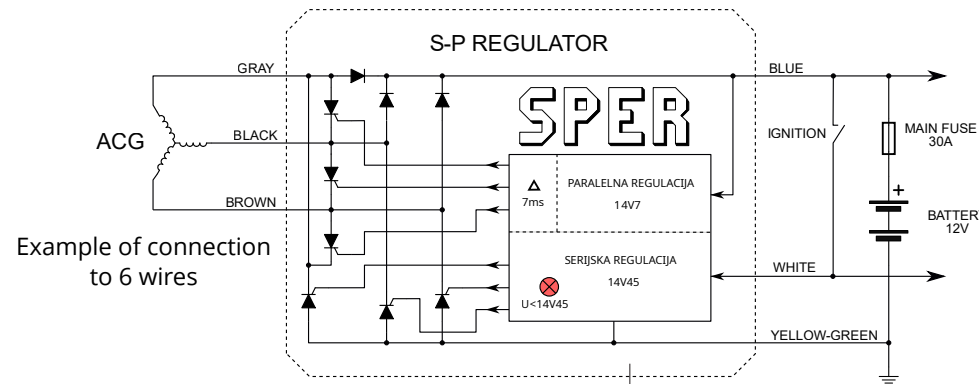


# Universal three-phase SP regulator/rectifier for motorcycle (high rpm)

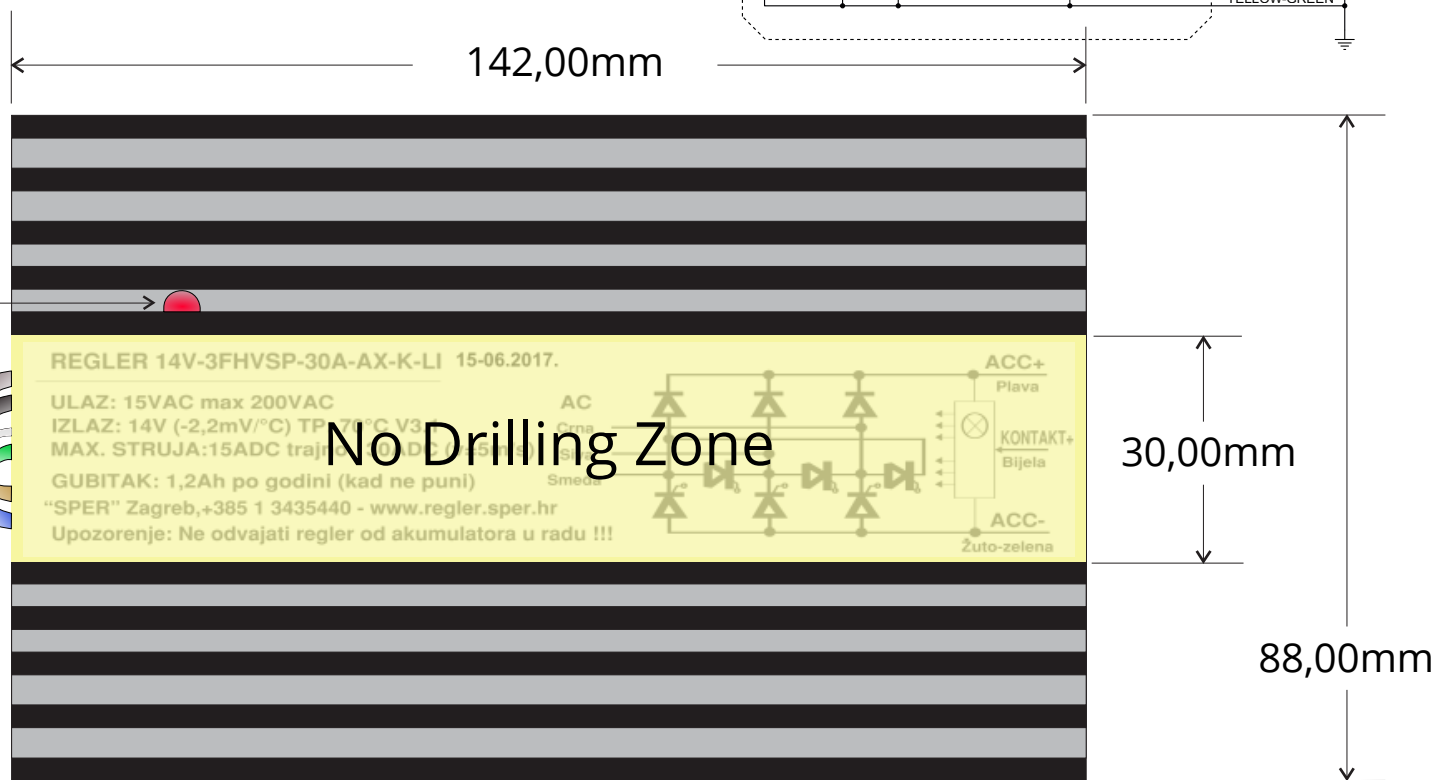
## 14V-3FHVSP-30A-AX-KS-LI



- Characteristics: **Reduced heating of the regulator and stator coils!**
- Temperature protection: automatic shutdown if overheated above 70°C
- Voltage regulation: 14.5V/14.7VDC
- LED indicator: turns off when the set voltage is reached
- Overvoltage protection: activated at  $U_{iz} > 40VDC$  in thousandths of a second
- Current: 15A/30A @v = 5 m/s
- Input AC voltage: 15..200VAC (260VAC activates protection)
- Can be connected to 5, 6, 7, and 8 wires instead of the original regulator
- Warranty: 4 years Price: €136.00



LED indicator



Height: 25mm

M 1:1

CABLE 12mm  
Length: 85cm  
Without Connectors!

# The regulator (14V-3FHVSP-30A-AX/BX) is used as a replacement on the following motorcycles (#n = installation number)

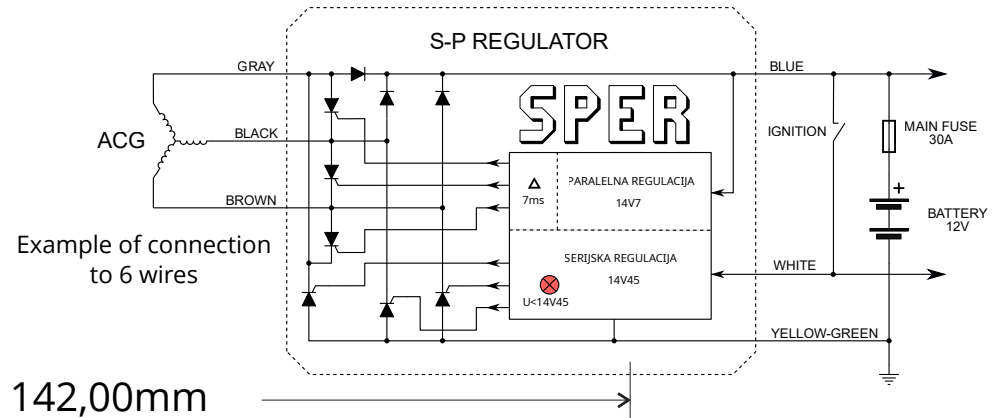
Acces Apollo 300 quad #2	Honda CBF600 #3	Hyosung Comet GT650 #3	Polaris 900 #2	TGB Blade 425 (quad) #8
Acces 400 quad	Honda CBF600E	Hyosung GT650R #2	Polaris Sprotsman 1000 #3	TGB Blade 525 (quad) #4
Acces 450 quad #3	Honda CBF600F #3	Hyosung HV650	Polaris Scrambler XP1000 #6	TGB X-Motion 250 #13
Acces SP3000 quad	Honda CBF600F 1995.	Hyosung Aquila GV650 #12	Quad ??	TGB quad
Adly 280	Honda CBF1000 2006.	Hyosung Aquila GV650FI 2008. #2	SMC Jumbo 301 quad	Triumph Daytona 675 #3
Adly 280 AU	Honda CBF1000A #2	Hyosung GT250	Stritrace 450 quad #3	Triumph Speed triple 955i
Adly 300 quad #2	Honda CBF1000 ST(FA) 2010	Kawasaki 454 LTD	Suzuki Burgman 400 #5	Triumph Speed four 600
Adly 320S quad	Honda CBR500 1997.	Kawasaki ER6N 650 #2	Suzuki Burgman 650	Triumph Sprint 1050
Adly 320AU quad #9	Honda CBR600 1996. #6	Kawasaki GPZ500S	Suzuki DL650 V Strom #3	Triumph spider 1050
Adly 300XS quad #7	Honda CBR600F 1996. #7	Kawasaki GPZ500S 2002.	Suzuki DL650 V Strom 2009.	Yamaha 50KS
Adly 500 quad	Honda CBR600F 1998. #6	Kawasaki GPZ500S 1987.	Suzuki 650 V Strom 2010.	Yamaha F100 #2
Agon 750 quad	Honda CBR600F 1999.	Kawasaki GPZ650 #2	Suzuki DL1000 2007.	Yamaha 100KS #2
Aprilia 1000	Honda CBR600F 2000. #2	Kawasaki KLE500 #104	Suzuki DL1000 V Strom #6	Yamaha Fazer
Aprilia Caponord 900	Honda CBR600F 2002. #2	Kawasaki KLE500 twin	Suzuki DRZ400 #2	Yamaha FZR600
Aprilia Caponord ETV1000 #34	Honda CBR600FR 1991.	Kawasaki KLR650 1988. #2	Suzuki DRZ400S	Yamaha FZR600 1991.
Aprilia Caponord ETV1000 2004.	Honda CBR600RR #5	Kawasaki VN1500	Suzuki GS600	Yamaha Grizli 300 #2
Aprilia Caponord ETV1000 2005.	Honda CBR F600	Kawasaki Z1000	Suzuki GS500E	Yamaha MT03 320ccm
Aprilia Futura 1000 #5	Honda CBR900 RR 2003 #5	Kawasaki Z750 #2	Suzuki GS750 1988.	Yamaha R6 #2
Aprilia Mile 1000 2002. #2	Honda CBR900 RR 1996 #3	Kawasaki ZZR600 1991.	Suzuki GS8550E 1983.	Yamaha RZ1
Aprilia Mile 1000 2004.	Honda CBR900 RR 1997 #3	Kawasaki ZZR600 1998. #2	Suzuki GSF400 Bandit	Yamaha Tenere XTZ750
Aprilia RSV1000 mile #5	Honda CBR900 1997	Kawasaki ZX6R #3	Suzuki GSR600	Yamaha TDM 850 3VD 1993.
Aprilia RSV1000R #2	Honda CBR900 1998 #2	Kawasaki ZX600F	Suzuki GSR600 2008.	Yamaha TDM 850 #2
Aprilia RSV1000R 2005.	Honda CBR900 2003	Kawasaki ZX6R	Suzuki GSX550ES	Yamaha XY600 Diversion
Aprilia RSV1000R 2006.	Honda CBR900 #2	Kawasaki ZX6R 636 2004.	Suzuki GSX900 +	Yamaha XJ6S
Aprilia SL1000 Falco 2000.	Honda CBR900 RR	Kawasaki ZX6R 2009.	Suzuki GSX1100 ES 1983..1985	Yamaha XTZ750
Aprilia SRV850	Honda CBR919 1999.	Kawasaki ZX10 ninja	Suzuki GSX1300 B king	Yamaha XVS1100 dragstar #9
Aprilia Scarabeo 250	Honda CBR919 RR 1999.	Kawasaki ZX10R 2008. #2	Suzuki GSX1400	Yamaha YFM350R raptor #2
Aprilia Scarabeo 250ie	Honda CBR929	Kawasaki ZX12 #3	Suzuki GSX1400 2004.	Yamaha YZFR1 #7
Aprilia Scarabeo 500 #2	Honda CBR929 RR 2001.	Kawasaki 750	Suzuki GSXR600 #10	Yamaha YZFR1 2009.
Aprilia Sportcity 250 #5	Honda CBR954 2003 #3	Kymco Venox 250	Suzuki GSXR600 2001. #2	Yamaha YZFR6 #4
Aprilia Sportcity 250IE	Honda CBR990 RR	Kymco 300 downtow #2	Suzuki GSXR600 2005. K5 #2	
Aprilia Tuono 1000 #24	Honda CBR1000 2005. #2	Kymco 500 skuter	Suzuki GSXR600 2006. #4	
Aprilia Tuono 1000 2006. #2	Honda CBR1000RR #2	Kineski quad 280ccm #2	Suzuki GSXR600 2008.	
BMW 1200GS 2013.	Honda CBR1000RR 2005.	KTM STM990 2009.	Suzuki GSXR600 K4 2004.	
Bombardier 400 2005. quad	Honda CBR1100 #2	KTM 990 #5	Suzuki GSXR600 K4	
Bombardier DS650 Baja quad	Honda CBR1100XX #5	Malaguti Madison	Suzuki GSXR600 K6	
Bombardier 650 quad	Honda Goldwing 1100	Malaguti Madison RS250	Suzuki GSXR600 K7	
Buell Firebolt XB12R	Honda GS500	Malaguti Madison 400	Suzuki GSXR600 SRAD #13	
Can-am DSX650	Honda GSR600 #3	Mercury 90KS 4T vanbrodski #4	Suzuki GSR650	
Can-am Odesa 800	Honda HRV750 Africa twin 1990.	Odes 650 quad	Suzuki GSXR750 #2	
Cecket 500 quad	Honda Hornet 600 #7	Odes 850 quad	Suzuki GSXR750 1998.	
CF MOTO Esharm 150 #8	Honda Hornet 600F 1998. #2	Odes 850 Assailant quad	Suzuki GSXR750 EF	
CF MOTO Esharm 150E #2	Honda Hornet PC34 2000.	Peugeot Jet Force 125	Suzuki GSXR1000 #2	
CF MOTO Esharm 150EFI	Honda FJS600 Silver Wing	Peugeot Geopolis 250 IE #2	Suzuki Hayabusa 1300	
CF MOTO 500A kineski quad	Honda Shadow 600	Piaggio X7 250IE	Suzuki Intruder 750 #3	
Ducati 848 2008.	Honda Transalp XL600 #3	Piaggio X8 150 (skuter)	Suzuki Intruder 1400 #3	
Ducati Monster 520	Honda Transalp XL600V	Piaggio X8 250IE (skuter) 2006. #7	Suzuki Intruder VL1500	
Ducati Monster 620 #2	Honda Transalp 650	Piaggio X8 400 (skuter) #2	Suzuki Intruder V1800	
Ducati Monster 696 2008.	Honda Varadero XL1000 #6	Piaggio X9 180 (skuter) 1991.	Suzuki K7 #2	
Ducati Monster 1000	Honda Varadero XL1100 1999.	Piaggio X9 250 (skuter) #2	Suzuki LTZ450 quad #2	
Ducati ST3	Honda Varadero XLV1100 1999.	Piaggio X9 500 (skuter)	Suzuki Marauder VZ800 #3	
Gilera GP800	Honda VFR250	Piaggio X9 250 (skuter) #2	Suzuki SV650 #3	
Gilera 250 skuter	Honda VFR750 #8	Piaggio X9 500 (skuter) #2	Suzuki Vstrom 1000 #2	
Gilera 250IE skuter	Honda VFR750F	Piaggio Beverly 250 #10	Suzuki Vstrom 1000 2007.	
Gilera 500 skuter	Honda VFR800 #28	Piaggio Beverly 250ie #9	Suzuki Vstrom DL1000 #2	
Gilera Nexus 250 skuter	Honda VFR800 1998.	Piaggio Beverly 400 #4	Suzuki VS600 Intruder	
Gilera Nexus 250IE skuter	Honda VFR800 2003.	Piaggio Beverly 400ie	Suzuki VS700 Intruder	
Gilera Nexus 500 skuter #5	Honda VFR800 2006.	Piaggio Beverly 500 #17	Suzuki VS800 Intruder #5	
Harley V-Rod 1250	Honda VFR800 2006.	Piaggio EVO300 (skuter)	Suzuki VS1400 Intruder #2	
Hisun ATV350 quad	Honda VT750 #2	Piaggio Sportcity 250ie #2	Suzuki VS1400 Intruder 1994.	
Honda CB400 N 1979	Honda VTR1000F 1997.	Piaggio XEVO400	Sym 250 quad	
Honda CB500 1997 #2	Honda VTR1000FW 1998.	Polaris 500	TGB Access Apollo 250 (quad)	
Honda CB600	Honda XRV750 Africa Twin #15	Polaris Sportsman 570 #27	TGB Access Apollo 450 (quad)	
Honda CB954 2003.	Hyosung 250 #3	Polaris Scrambler 850	TGB Blade 250 (quad) #7	
	Hyosung Comet GT650 #3	Polaris Sportsman 850 #4		

# Universal three-phase SP regulator/rectifier for motorcycle (high rpm)

## 14V-3FHVSP-30A-BX-KS-LI



- Characteristics: **Reduced heating of the regulator and stator coils!**
- Temperature protection: automatic shutdown if overheated above 70°C
- Voltage regulation: 14.5V/14.7VDC
- LED indicator: turns off when the set voltage is reached
- Overvoltage protection: activated at  $U_{iz} > 40VDC$  in thousandths of a second
- Current: 15A/30A @  $v = 5 \text{ m/s}$
- Input AC voltage: 15..200VAC (260VAC activates protection)
- Can be connected to 5, 6, 7, and 8 wires instead of the original regulator
- Warranty: **5 years** Price: €144,40



Example of connection to 6 wires



Height: **35mm**

M 1:1